



---

## USB Phone

USB PHONE is a new generation of communication products connecting to PC. With a USB PHONE, you can use instant messaging software, such as SKYPE and MSN, to make a voice call on the Internet.

### AppoTech's solutions for USB PHONE

- Single-chip solution (including hardware and software) with high quality, good scalability and low cost
- Mature solutions that have been mass produced and captured a big market share
- Various solutions are available to fulfill different customer demands for features and cost
- By modifying SDK software, good scalability is achieved and hardware cost saving is possible

### General Features

- Support various instant messengers
- Plug-and-play, USB 2.0-compliant
- No external sound card or power supply is required
- Make or answer a call with handset
- LCD on handset with user-friendly interface
- High-quality audio output
- User can select ring tone
- Adjust volume easily with handset
- Specialized SDK software
- Support multiple language display

### Advantages

- **A total solution: own designed IC + advanced application solution**
- **Low Cost + Short lead-time**
- **Reference designs and can be modified according to customer's needs**
- **Firmware support for unique functions and user interface**

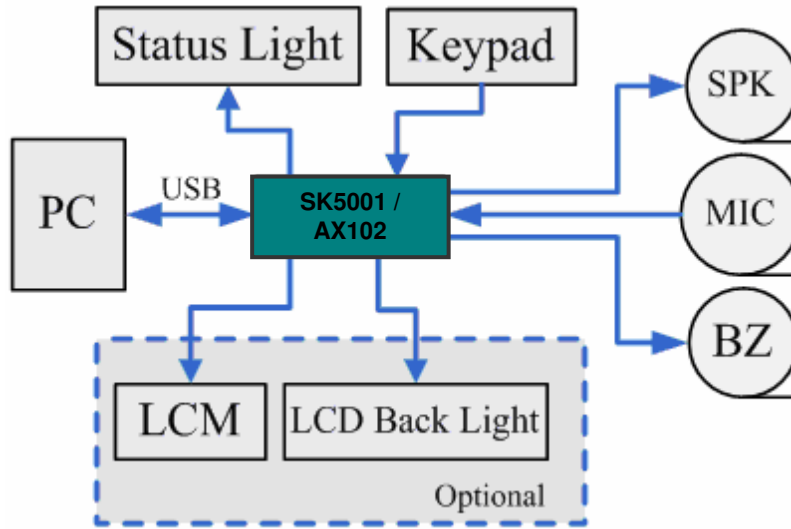
### SK5001 / AX102 Solutions

- SK5001 / AX102: Internal A/D + Internal D/A
- SK5001 / AX102 + D/A: Internal A/D + External D/A
- SK5001 / AX102 + CODEC: External CODEC

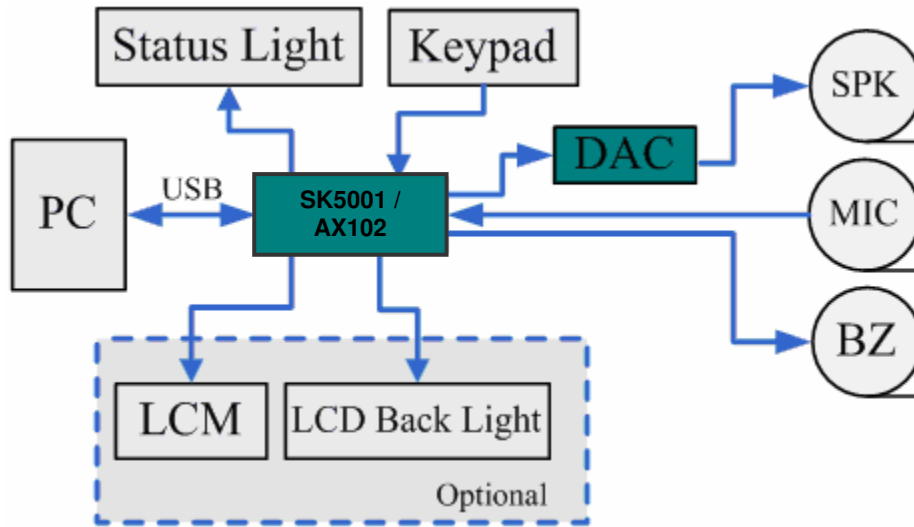
### SK5001 / AX102 solution descriptions

- Communicate with PC via built-in USB 2.0 controller which handles both voice and control signal
- Sample voice signal via ADC (internal or external)
- Output voice signal to speaker via DAC (internal or external)
- GPIO to implement indicator light control, LCD module control and key scanning

**Solution Diagram 1(Internal A/D + Internal D/A)**



**Solution Diagram 2(Internal A/D + External D/A)**



**Solution Diagram 3(External CODEC)**

